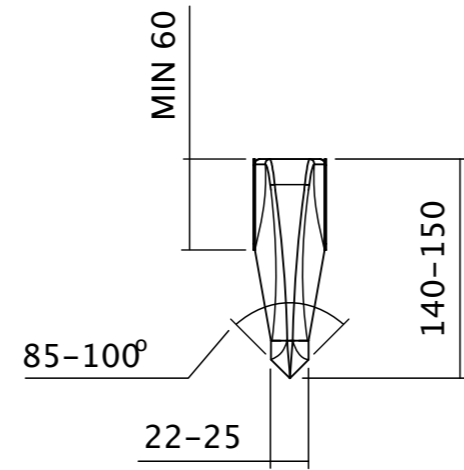
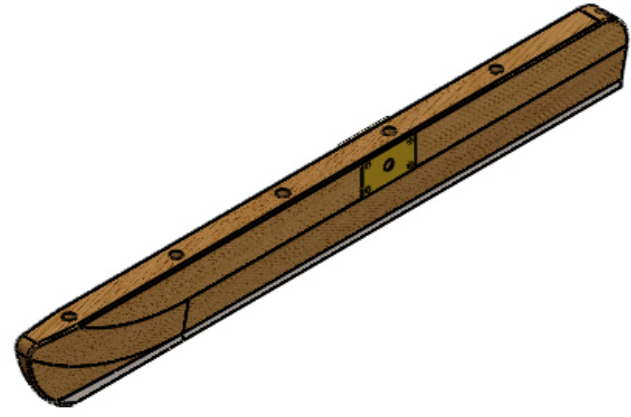
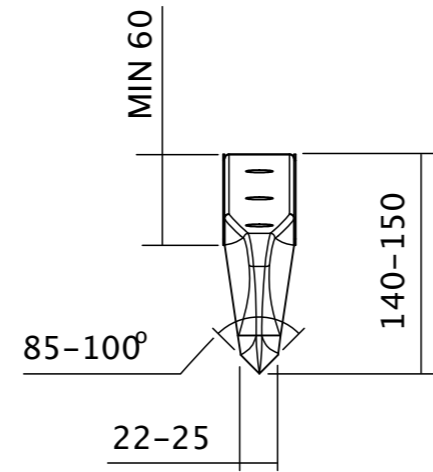
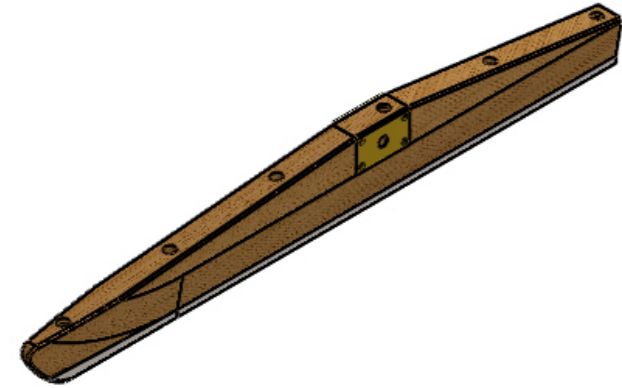


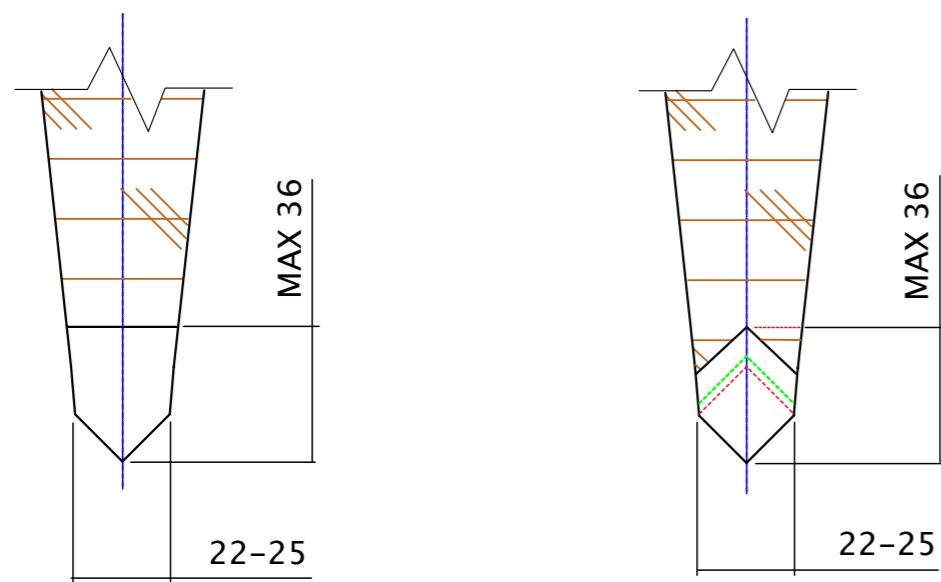
NO TAPER



MAX TAPER

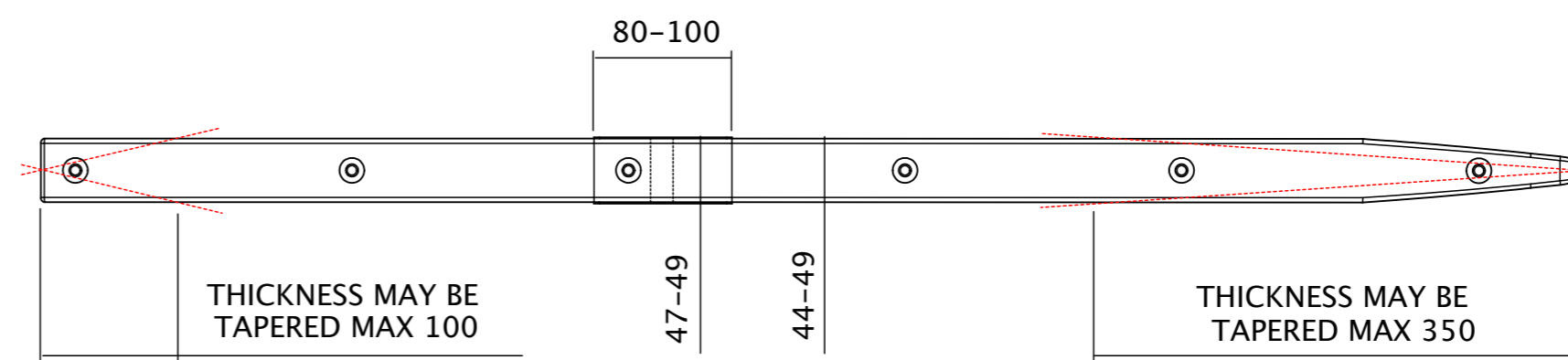
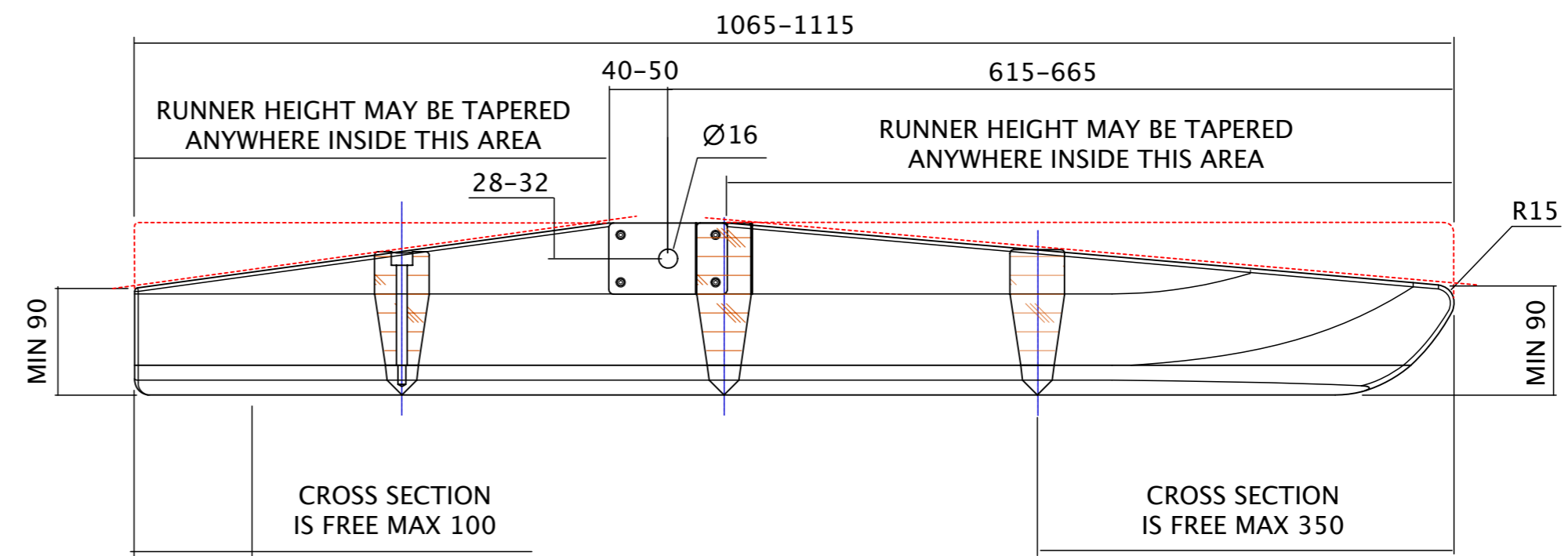
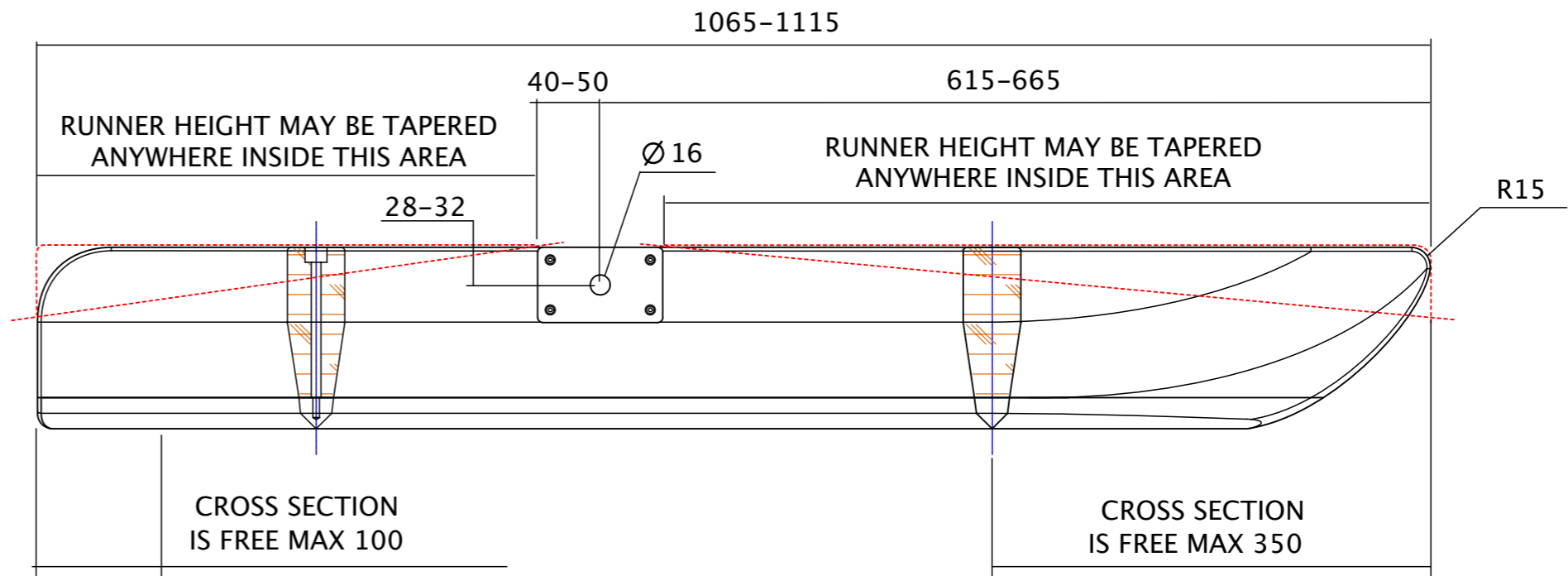



ALLOWED STEEL SHAPES
SCALE 1:2



MACHINED
STEEL

- 20X20 SQUARE BAR
- 18X18 SQUARE BAR
- MAX 25X25 SQUARE BAR



				ALL DIMENSIONS IN MM		DO NOT SCALE DRAWING	REVISION: 04
						OWNER: IMXVIYRA	
NAME	SIGNATURE	DATE	NOTES: THE HEIGHT OF THE RUNNER CAN BE TAPERED ANYWHERE INSIDE THE RED DOTTED LINES, IN THE SIDE VIEW DRAWINGS. THE THICKNESS CAN BE TAPERED 350 MM IN THE FRONT AND 100 MM IN THE AFT. SEE TOP VIEW DRAWING	TITLE: MONOTYPE-XV WOOD RUNNER			
DRAWN	J. KINBERG	2017-12-17					
CHK'D	D. SCHUTTE	2018-03-25					
CHK'D	A. PADU	2018-03-25					
APPV'D	M. ÅKERBLAD	2018-06-04					
MFG			MATERIAL: HARDWOOD MIN 650 KG/M ³ FIBERGLASS MAY BE ADDED STEEL	DWG: WOOD STEERING RUNNER		A2	
Q.A				SCALE: 1:5, 1:2			SHEET: 2 OF 2