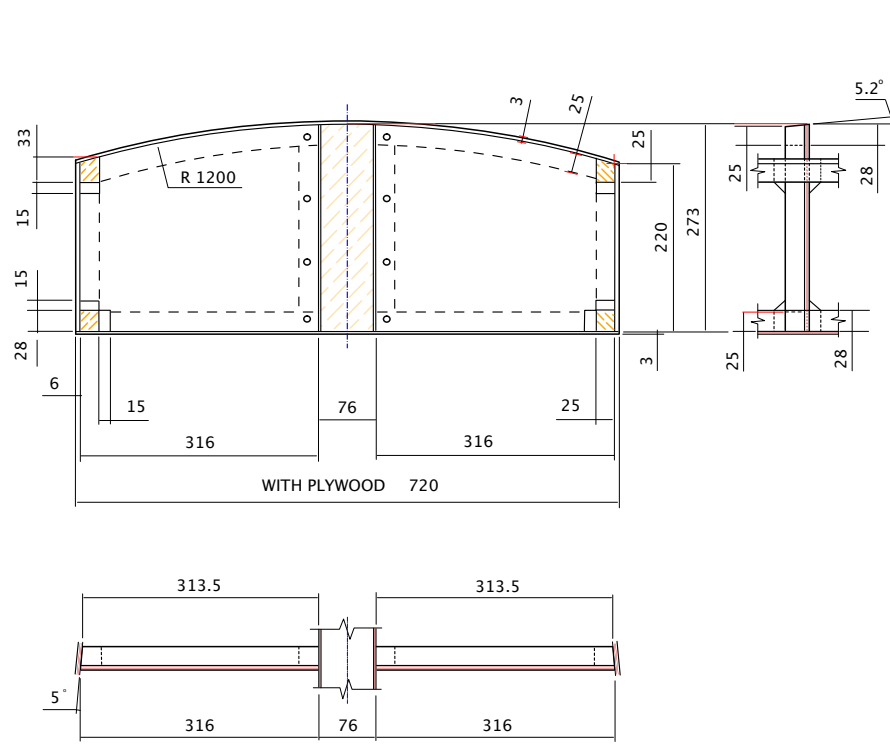
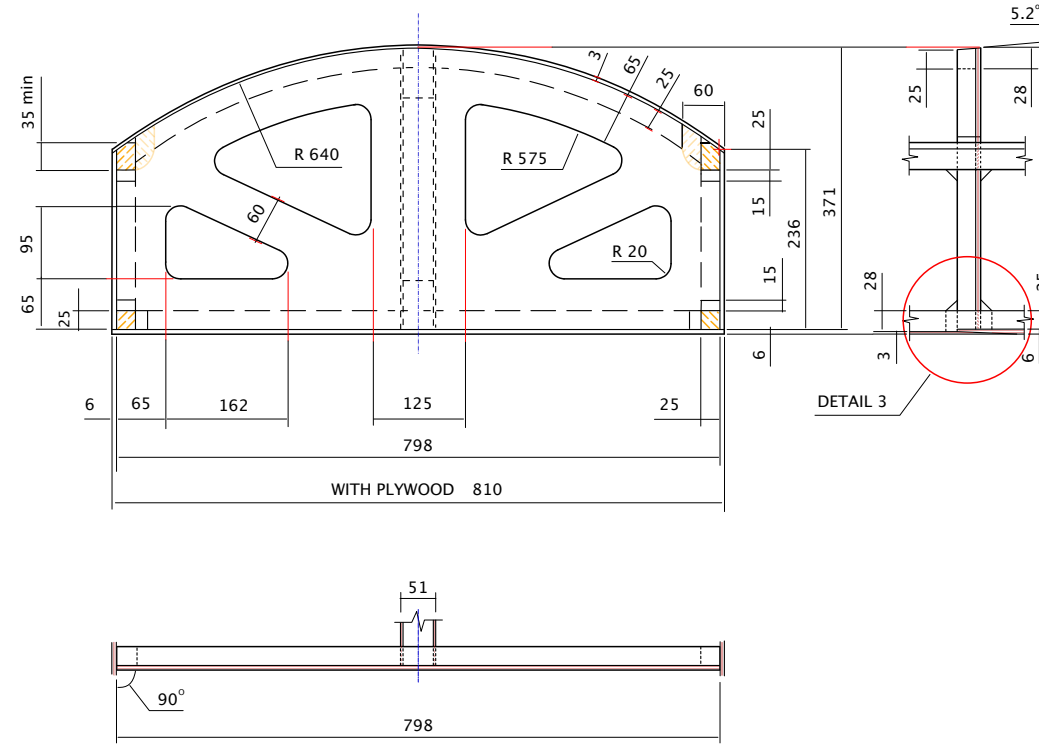


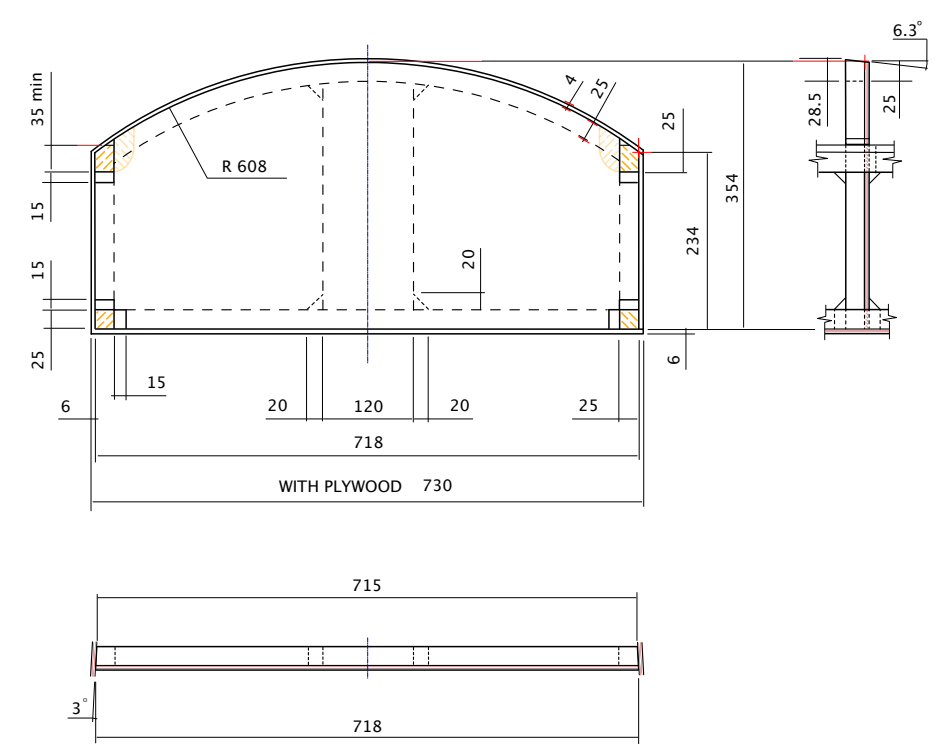
A-A
BULKHEAD 1



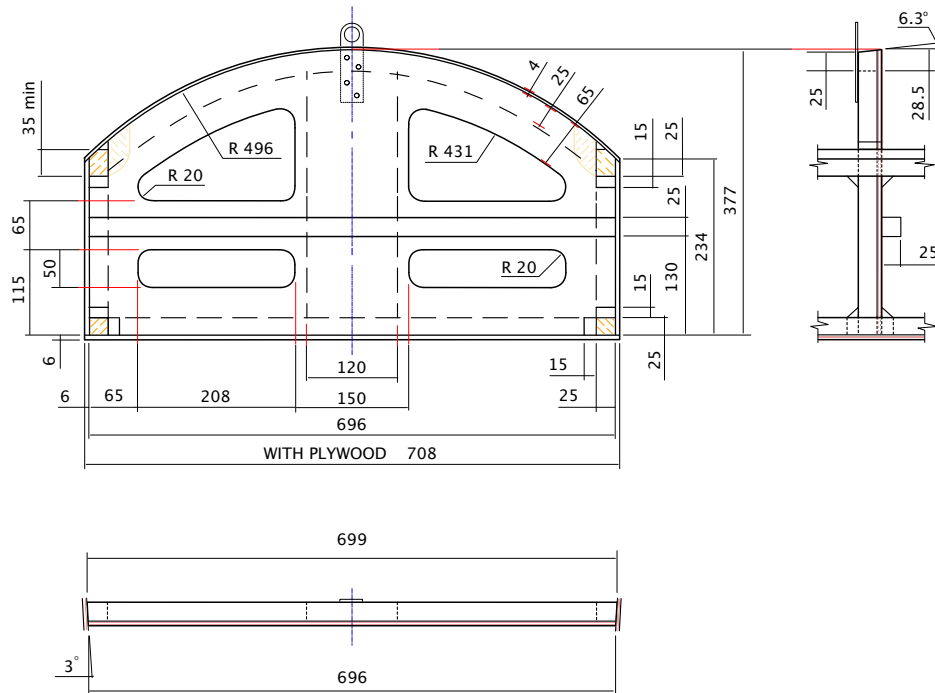
B-B
BULKHEAD 2



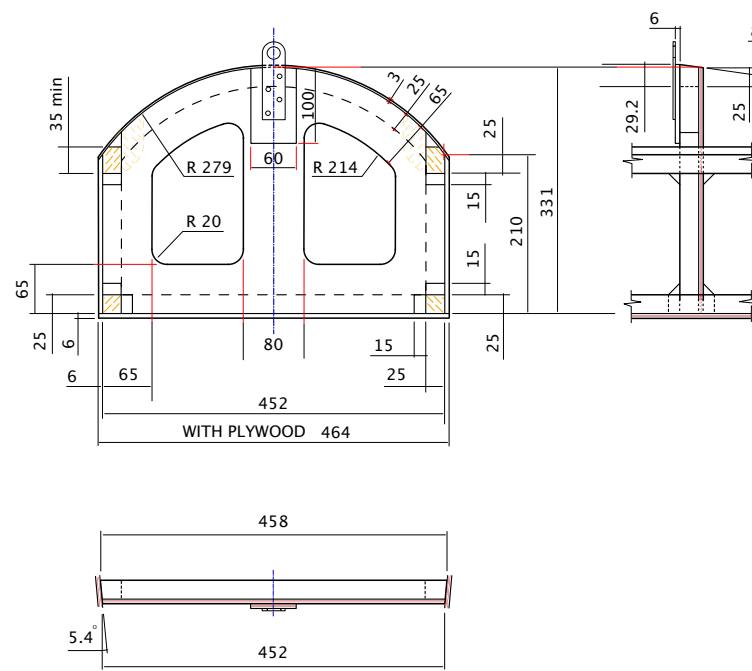
C-C
BULKHEAD 3



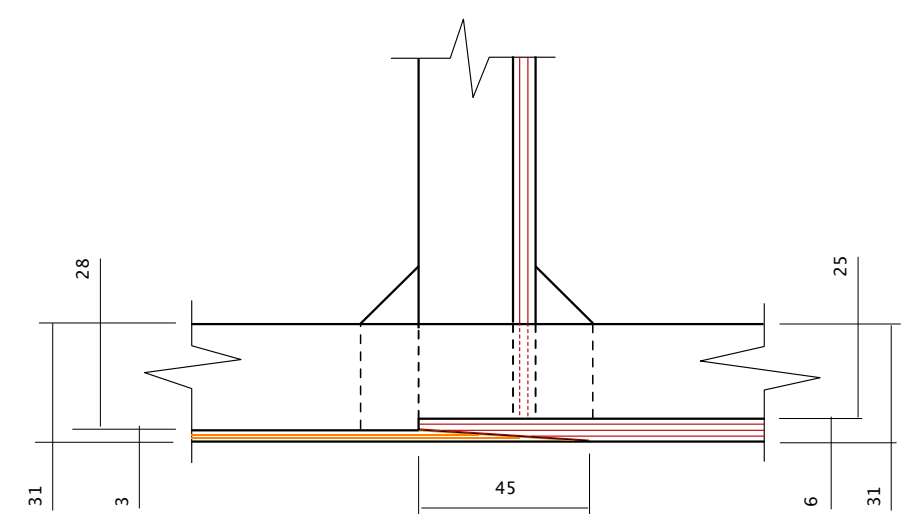
D-D
BULKHEAD 4




E-E
BULKHEAD 5



DETAIL 3
SCALE 1:2



				ALL DIMENSIONS IN MM	DO NOT SCALE DRAWING	REVISION: 02
				OWNER: IMXVIYRA		
DRAWN: J. KINBERG CHK'D: D. SCHÜTTE CHK'D: A. PADU APPVD: B. ROST MFG: QA:	NAME: J. Kinberg SIGNATURE: <i>J. Kinberg</i> DATE: 2017-12-28	NOTES: THE BOTTOM STRINGERS NEED TO BE 28 MM HIGH FWD OF BULKHEAD 2, AT THE TRANSITION BETWEEN 3 MM AND 6 MM COCKPIT FLOOR. SEE DETAIL 3	TITLE: MONOTYPE-XV FUSELAGE			
MATERIAL: WOOD / PLYWOOD			DWC: FUSELAGE_BULKHEAD'S_A3		A3	
SCALE: 1:10/1:2			SHEET: 2 OF 2			