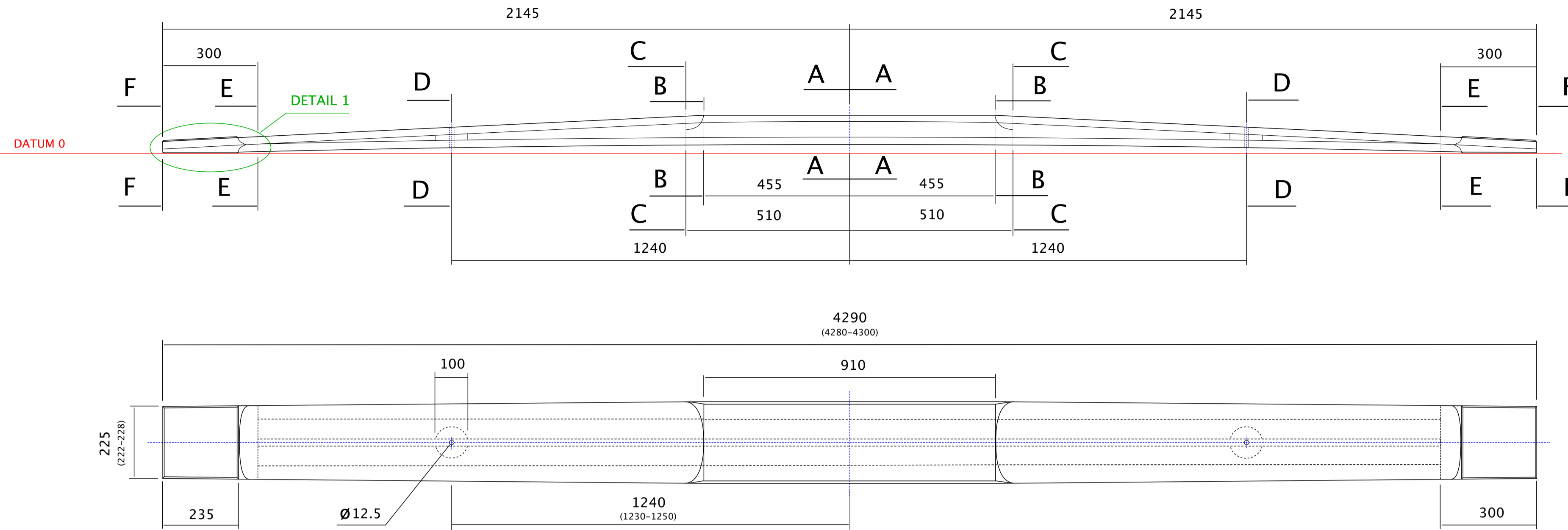
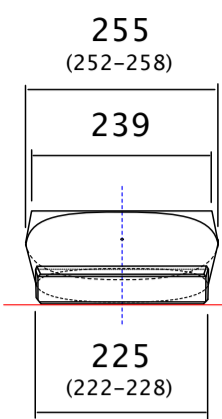
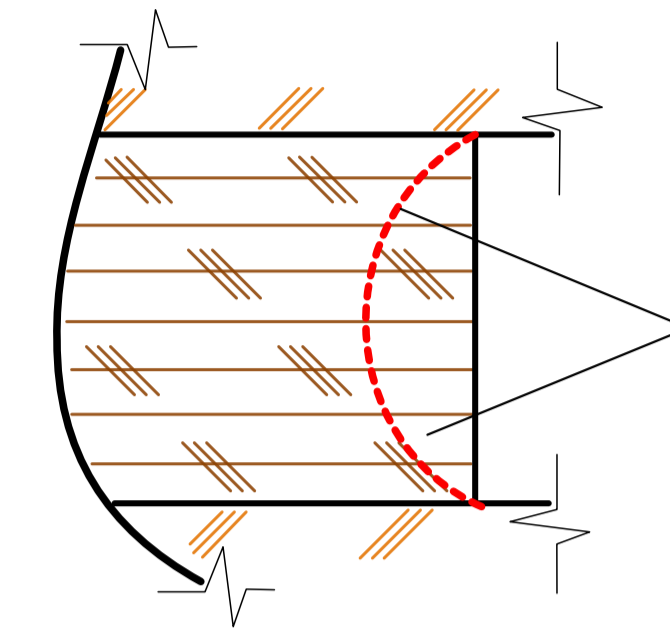


SCALE 1:10

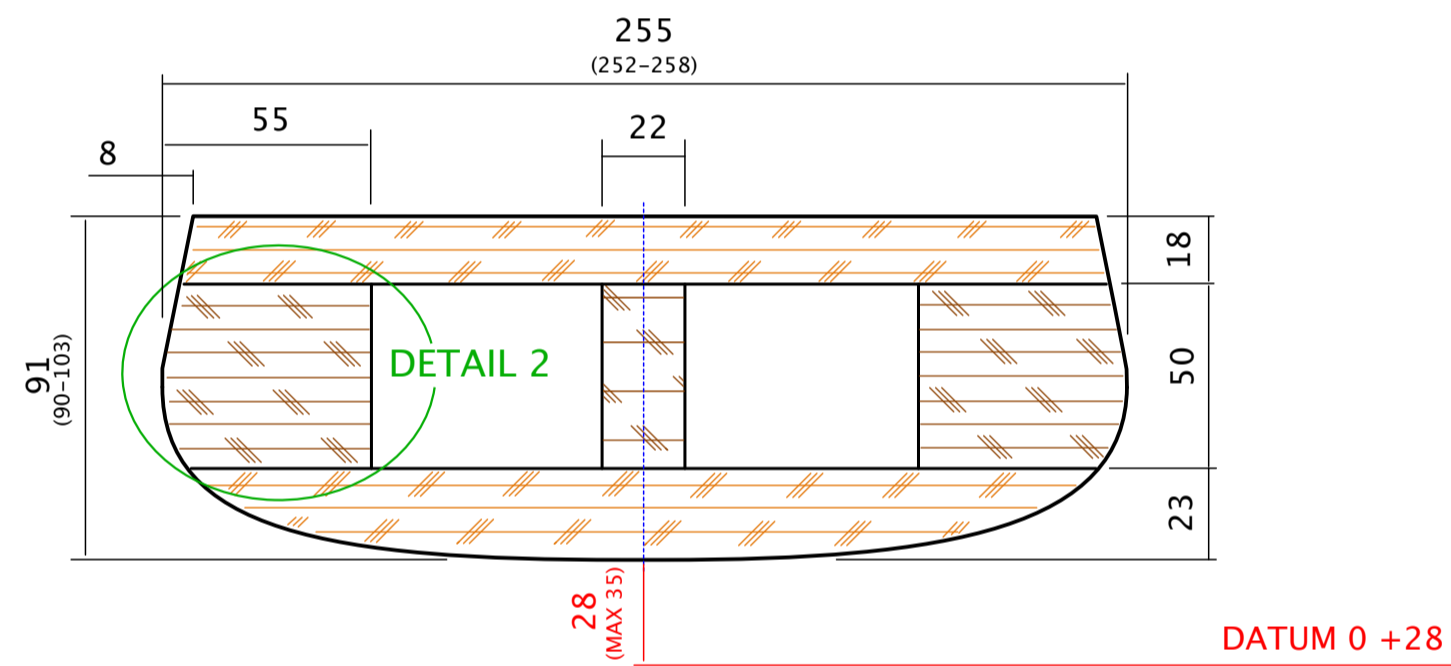


DETAIL 2  
SCALE 1:1

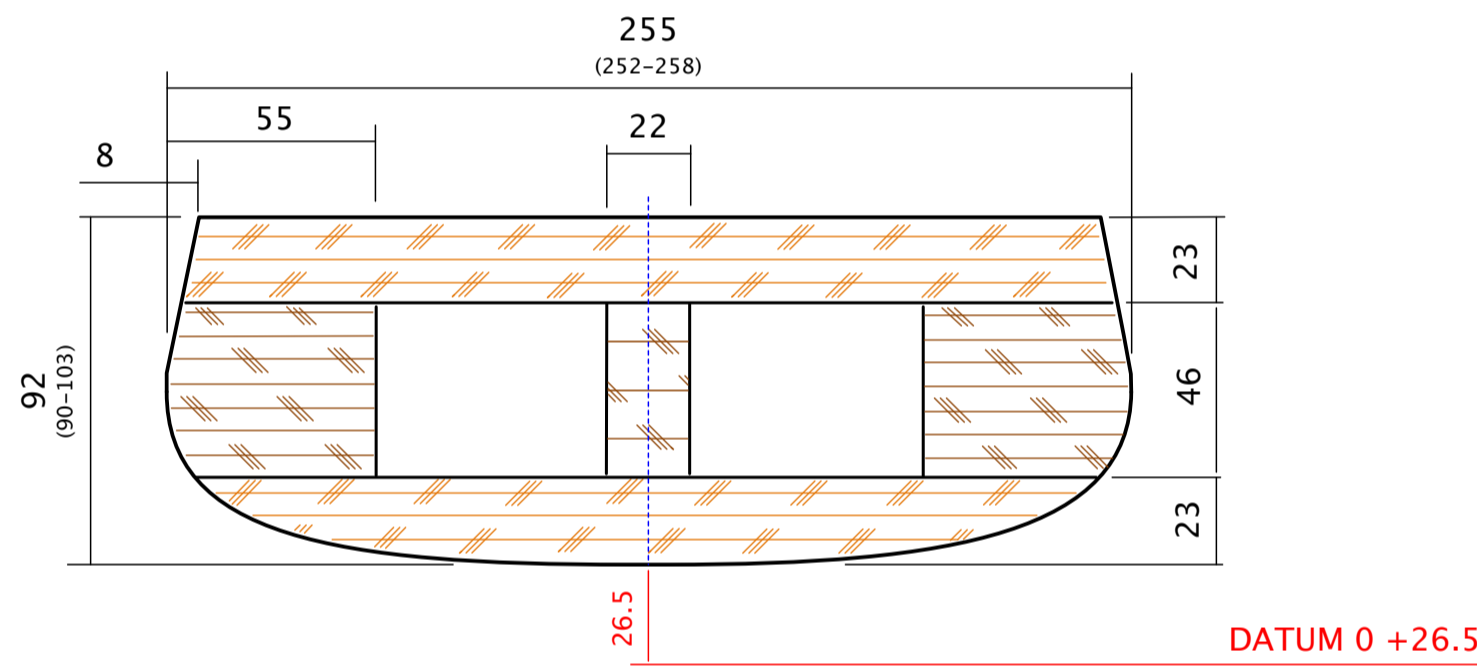


THE FORWARD AND AFT WEDGE CAN BE CONCAVE ON THE INSIDE TO MAKE IT SOFTER/LIGHTER

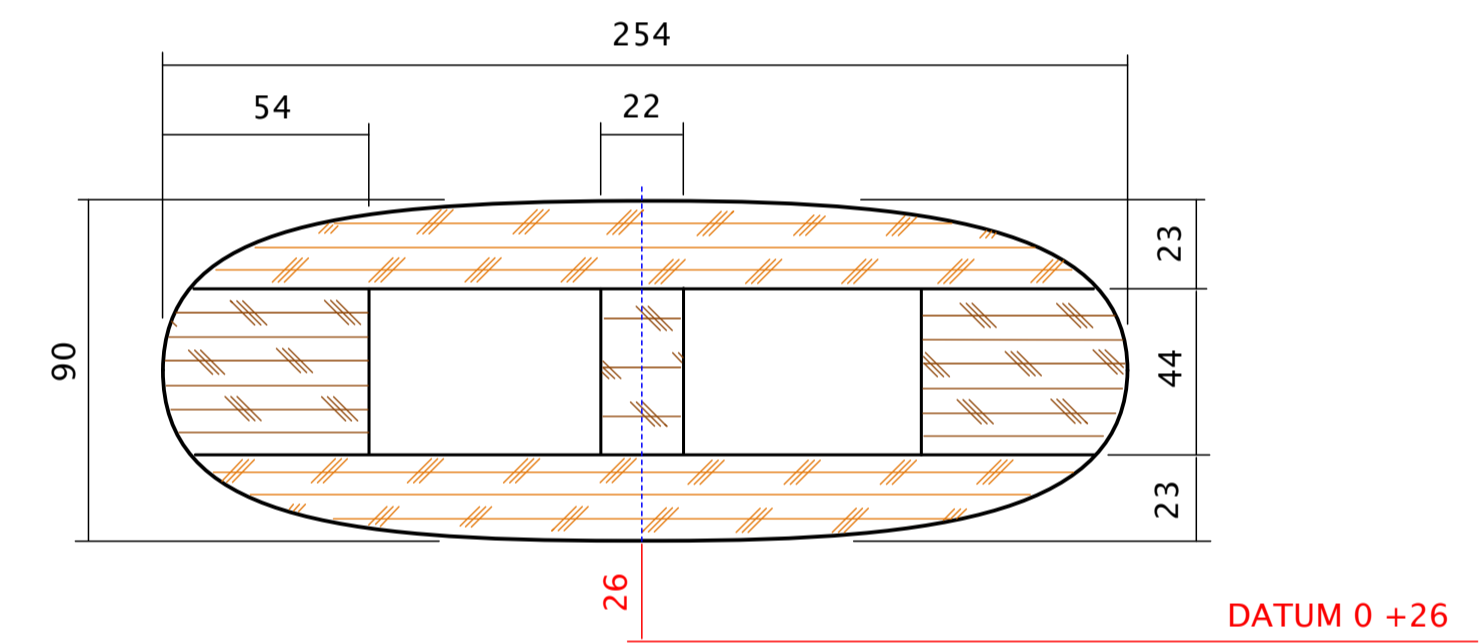
SECTION A-A  
SCALE 1:2



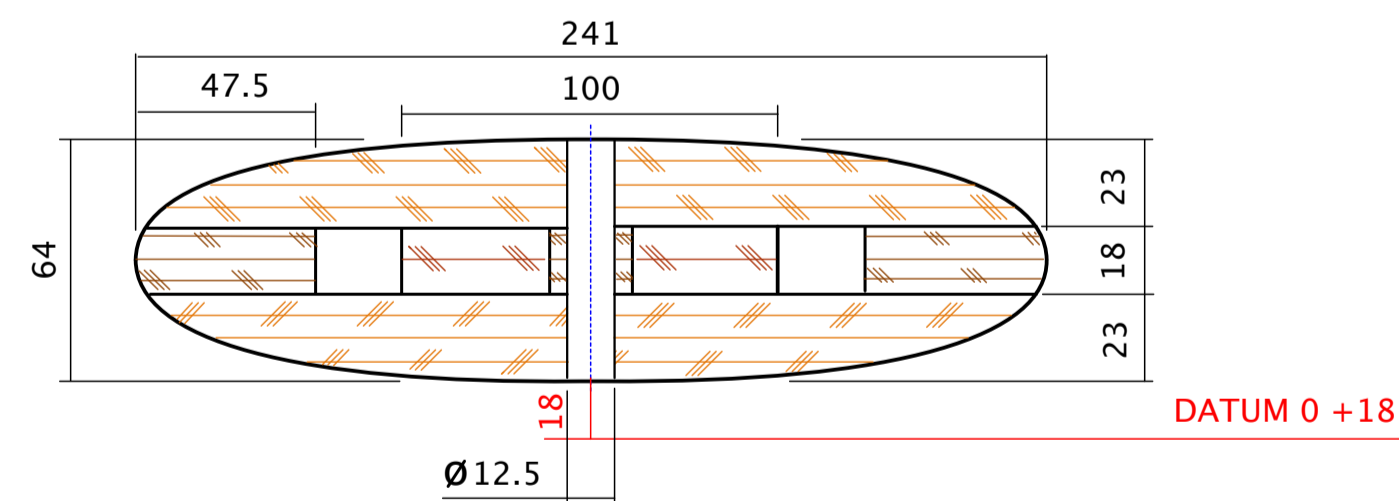
SECTION B-B  
SCALE 1:2



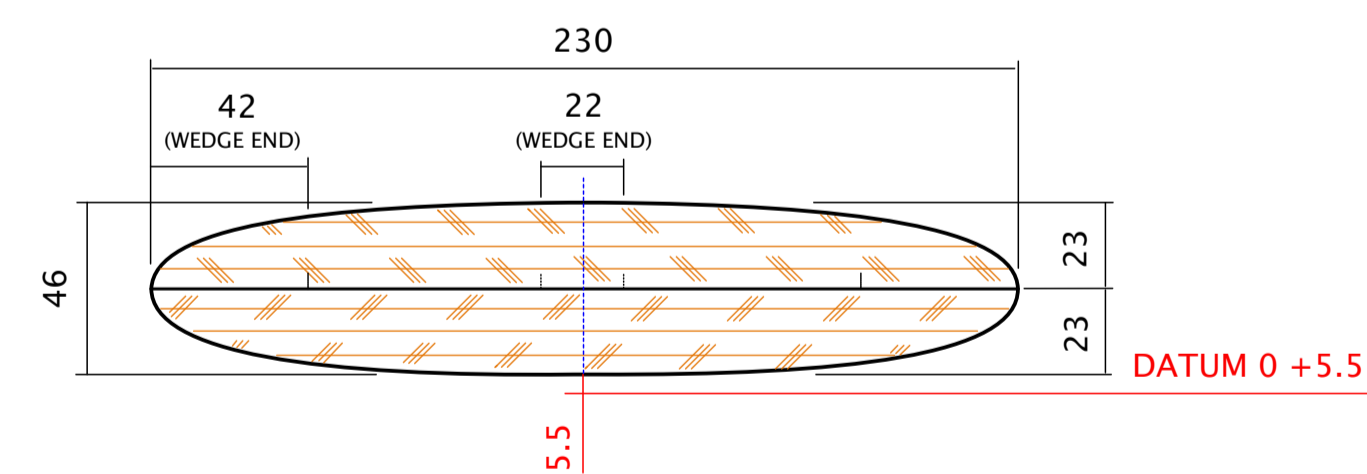
SECTION C-C  
SCALE 1:2



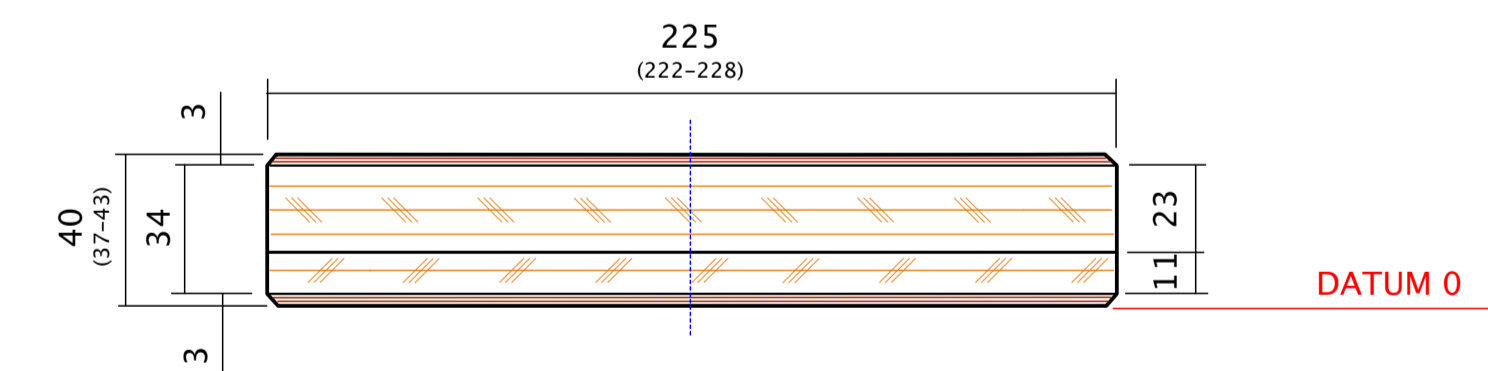
SECTION D-D  
SCALE 1:2



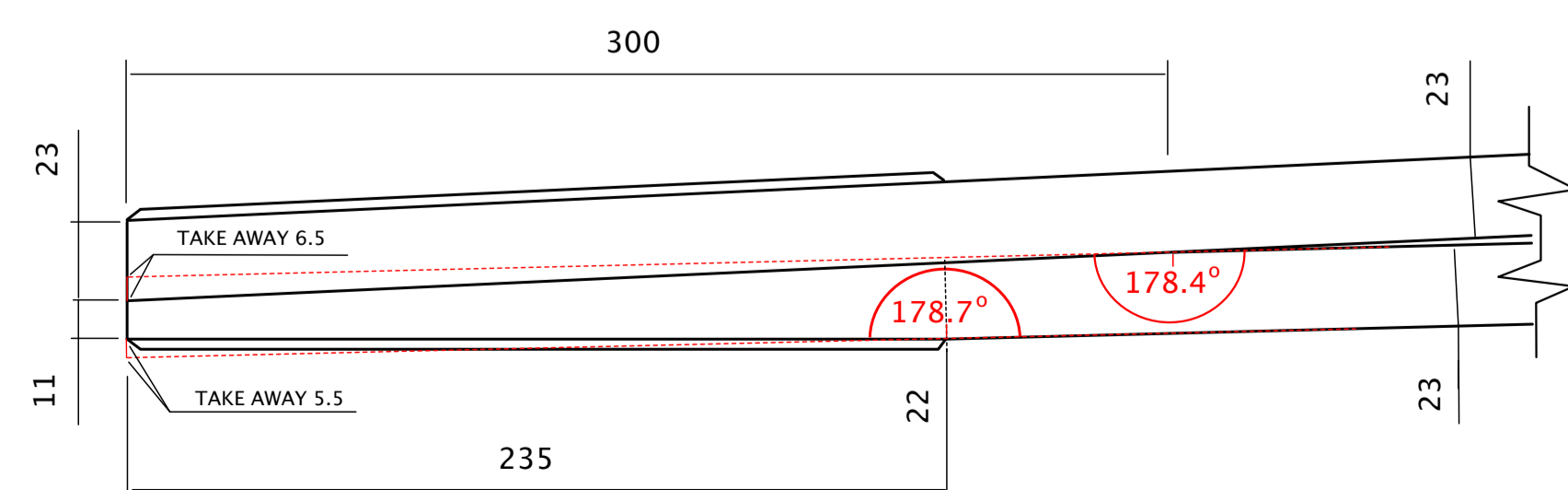
SECTION E-E  
SCALE 1:2




SECTION F-F  
SCALE 1:2



DETAIL 1  
SCALE 1:2



		ALL DIMENSIONS IN MM		DO NOT SCALE DRAWING	REVISION: 01
		CONSTRUCTION IS OPTIONAL		OWNER: IMXVIYRA	
DRAWN	J. KINBERG	SIGNATURE	<i>J. Kinberg</i>	DATE	2018-11-15
CHK'D	D. SCHUTTE	NOTES: RUNNERPLANK CONSTRUCTION IS FREE, AS LONG AS IT IS BUILT WITHIN THE SPECIFICATIONS. THE NUMBERS INSIDE THE PARENTHESES ( ), IS THE MAX-MIN TOLERANCE, THAT THE CONSTRUCTION NEED TO STAY INSIDE.			
CHK'D	A. PADU	THIS PLANK WILL BEND ABOUT 9-10 MM WITH 100 KG AT THE CENTERLINE.			
APPV'D	B. ROST	MATERIAL: CONIFER (SPRUCE) FIBERGLASS IS NOT ALLOWED NON CONIFER PLYWOOD CAN BE USED IN CHOCK AREA.			
MFG					
Q.A.					
TITLE:			MONOTYPE-XV RUNNER PLANK		
DWG:			RUNNER PLANK_A1		A1
SCALE:			1:10, 1:2, 1:1		SHEET: 1 OF 1